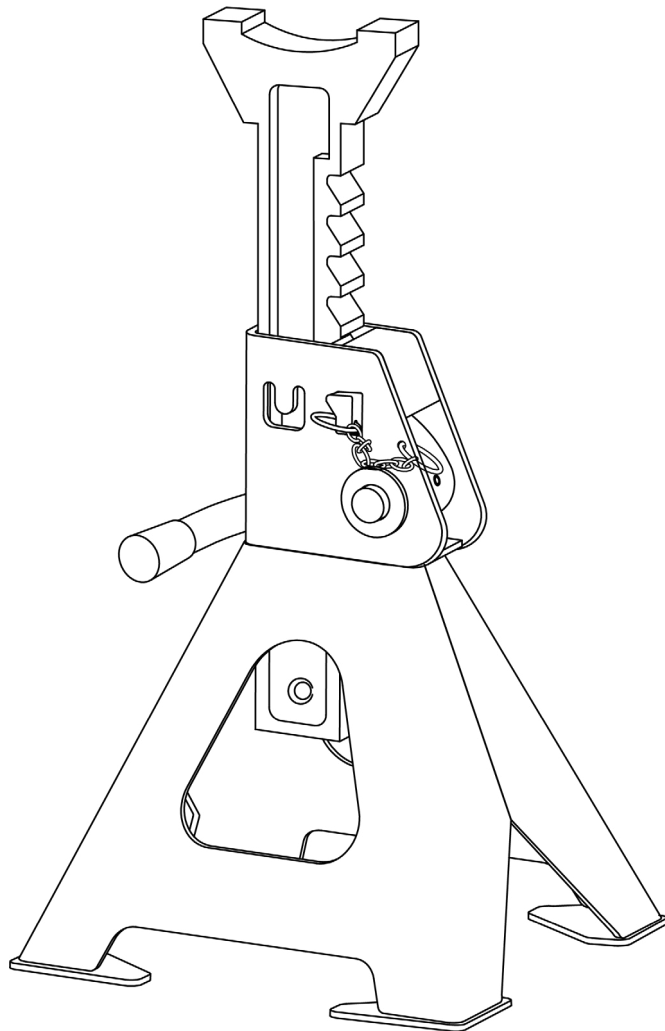




AXLE STANDS 4 TONNE (PAIR)



TSAS04

www.thetoolshed.co.nz

TABLE OF CONTENTS

Product Details	3
Specifications	4
Product Identification	4
Safety Guidelines	5
Before Use	7
Operation	8
Maintenance	9

**This product Complies with Australian/New Zealand Standard:
AS/NZS 2538:2016 Vehicle Support Stands**

Thank You

For the purchase of this ToolShed product. We try our hardest to supply customers like you with the best quality products available, at the best price possible. We cant wait to continue working together in the future.

Please contact us for any servicing, replacement parts, or questions you might have about your ToolShed product by visiting our website, or calling: 0800 948 665.

PRODUCT DETAILS

Product Model ToolShed Axle Stands 4 Tonne (pair)

Product Code TSAS04

DISTRIBUTED BY:



Note:

This manual is for your reference only. Due to the continuous improvement of the ToolShed products, changes may be made at any time without obligation or notice.

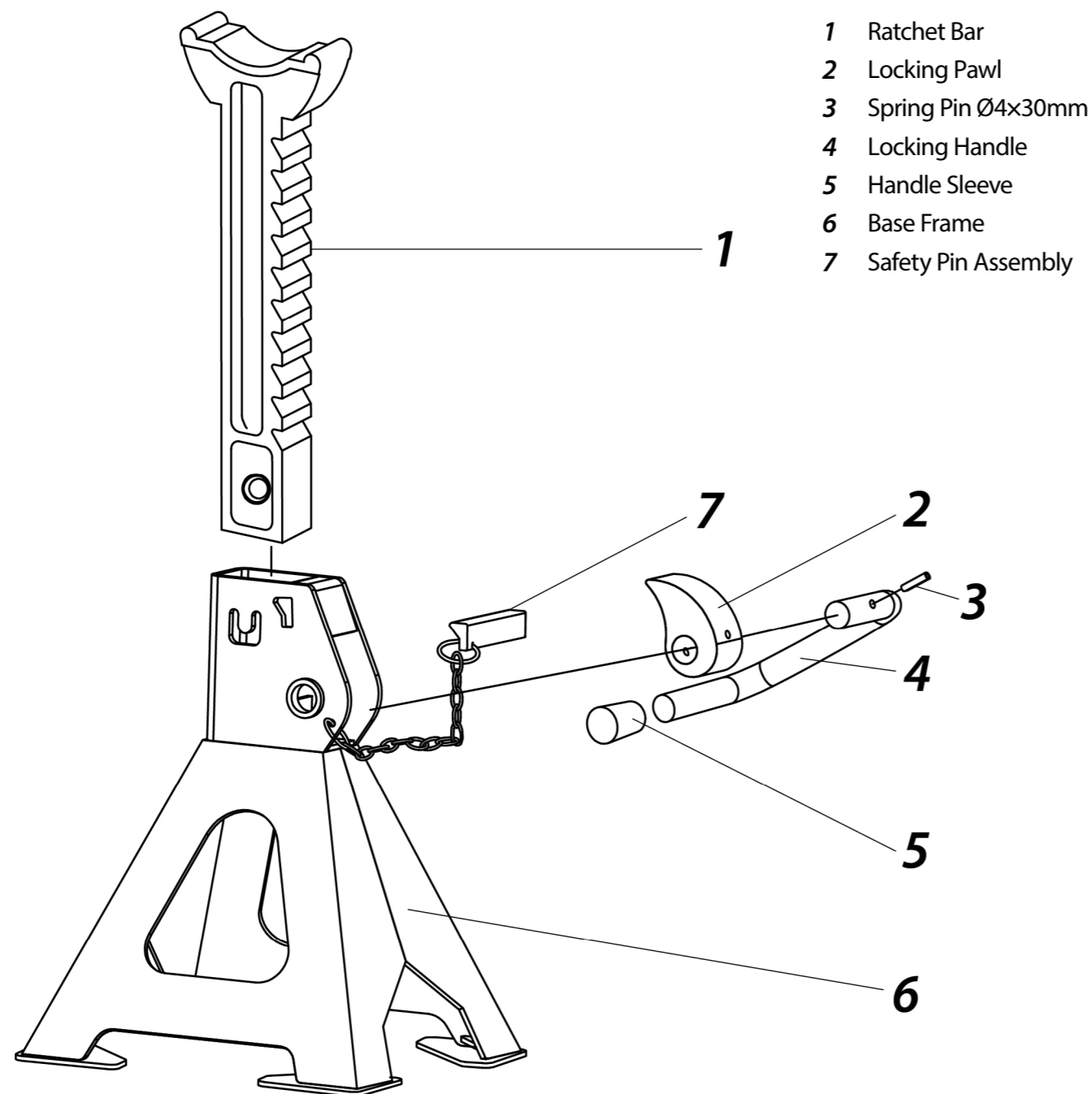
Warranty:

This product may be covered under The ToolShed warranty. For more information, see our Terms & Conditions at www.thetoolshed.co.nz

SPECIFICATIONS

<i>Working Load Limit</i>	4000 kg
<i>Maximum Working Height</i>	613mm
<i>Height Lowered</i>	392mm

PRODUCT IDENTIFICATION



- 1 Ratchet Bar
- 2 Locking Pawl
- 3 Spring Pin Ø4x30mm
- 4 Locking Handle
- 5 Handle Sleeve
- 6 Base Frame
- 7 Safety Pin Assembly

SAFETY GUIDELINES

WARNING

READ ALL SAFETY WARNINGS & INSTRUCTIONS. Failure to follow instructions and warnings could lead to serious injury, electric shock, or fire.

Work Area Safety

- **Ensure that your work area is kept clean and well lit.** Lack of visibility and clutter greatly increase the risk of accident when using tools.
- **Keep bystanders, pets, and children clear when operating this power tool or machine.** They can cause distraction or risk injury to themselves.
- **Ensure you are not operating the power tool or machinery in the presence of dust, liquids, flammable gases, or anything that can create an explosive atmosphere.** Power tools and machinery can create sparks which can lead to ignition and fire hazards in working environments.

Personal Safety

- **Always wear personal protective equipment (PPE).** Eye protection, ear protection, dust masks, and other protective equipment will help to reduce the risk of personal injury or long-term illnesses.
- **Dress appropriately. DO NOT wear loose clothing that can get caught in moving parts.** Keep hair, loose clothing, jewellery, and anything else that could be of risk, away

from moving parts in the machine, or they could become caught therein.

- **Always remain alert and DO NOT operate power tools or machinery under the influence of any substances such as alcohol or drugs, including prescription medications.** Lack of focus could lead to injury or accidents while operating these power tools and machinery.
- **Always ensure proper footing and balance.** Overreaching can lead to slipping and falling which can result in injury or accident.
- **Ensure the power switch is in the OFF position before connecting any battery, or power source to the power tool or machinery.** This can cause injury as tools and machinery can suddenly fire incidentally when live, causing accidents.
- **Use all provided dust collection and extraction attachments, if included.** This equipment, along with the use of PPE dust masks, can help keep you safe from dust, and keep your work site clear from hazards.
- **Ensure loose parts such as wrenches or adjusting keys are removed before starting the power tool or machinery.**

Service

- **Have your tools and machinery serviced at The ToolShed with ToolShed replacement parts.** This will ensure that the safety of the power tool or machine is maintained.

SAFETY GUIDELINES

WARNING

The warnings and precautions discussed in this manual cannot cover all possible conditions and situations that may occur. It must be understood by the operator that common sense and caution are factors which cannot be built into this product, but must be supplied by the operator.

Always Use Common Sense

- It is not possible to cover every conceivable situation you can face. Always exercise care and use your common sense. If you get into a situation where you feel unsafe, stop and seek expert advice. Contact your dealer, service agent, or an experienced user. Do not attempt any task you feel unsure of!
- **Do not let familiarity gained from the frequent use of tools allow you to become complacent and ignore tool safety principles.** A careless action can cause severe injury within a fraction of a second.

Axle Stand Specific Safety

- Always ensure axle stands are in good order and condition. DO NOT use if damaged.
- Apply vehicle handbrake and chock wheels before jacking and using stands (put automatics in 'Park').
- Raise the centre column of the stand and ensure the centre of the saddle is located under the vehicle jacking point. Refer to

vehicle handbook for jacking points.

- Ensure the centre column is locked with the locking lever down and pawl engaged with a ratchet tooth.
- Great care must be taken to ensure you lower the vehicle slowly and carefully onto the centres of the axle stands.
- Ensure that the vehicle and stands are stable before starting work.
- DO NOT use on soft ground or tarmac. Use on concrete only.
- DO NOT use a single stand. Only use in pairs.
- DO NOT support more than the maximum capacity, as written on the axle stand (i.e. 2 Tonnes each, 4 Tonnes per pair).
- DO NOT use four stands on one vehicle.
- DO NOT jack one end of the vehicle if the other end is already on stands, else the load will topple.
- DO NOT use for three wheeled vehicles or trailers. Refer to manufacturer's instructions.
- DO NOT use stands if damaged.

WARNING

Use only in pairs and on hard level surfaces (e.g. Concrete), ensuring the stand is positioned under a solid portion of the vehicle.

BEFORE USE

- Conduct a visual inspection of the jack stand before each use to check for any abnormal conditions, such as cracked welds, leaks, or damaged, loose, or missing parts. If you suspect the stand to have been exposed to an abnormal load or shock, it should be sent to your local ToolShed repair person.
- Equipment that appears damaged, worn, or functions abnormally must be removed from service until properly repaired.
- Repairs should only be carried out by an authorised repair facility. An annual inspection of the jack stand is recommended and should be performed by your local ToolShed repair person. This ensures the stand remains in optimal condition and that all decals and safety labels specified by the manufacturer are present and correct.

CAUTION

Use vehicle support stands on a hard level surface, preferably concrete.

CAUTION

Use vehicle support stands in pairs.

CAUTION

Check that no part of the under body of the vehicle will foul as the stands are positioned.

CAUTION

Chock the unlifted wheels of the vehicle.

CAUTION

Ensure that the locking mechanism is fully engaged.

CAUTION

Do not extend the height of the stand beyond its maximum working height.

OPERATION

- Ensure the bar is bent after inserting the ratchet into the frame to prevent it from detaching from the frame.
- Place the jack stands on firm, level ground.
- Adjust the height by lifting the ratchet upward.
- Centre the load on the saddle and slowly lower the vehicle onto the jack stands.
- Secure the ratchet by turning the locking handle to hold the load in place. Confirm that the safety pin is properly and securely inserted.
- When storing the jack stand, release the safety pin and locking handle to allow the ratchet to slide down to its lowest position.
- If the operator is not fluent in English, the product and safety instructions must be read and explained to the operator in their native language by the purchaser/owner or their representative to ensure full comprehension of the instructions.
- Inspect the jack stands before every use. DO NOT USE if any part is bent, broken, or cracked.

NOTE: To prevent corrosion, clean the jack stands as needed and wipe them with an oily cloth. Store in a dry area when not in use.

Best Use Tips

- Verify that the load to be supported does not exceed the vehicle support stands working load limit.
- Perform a pre-operational inspection of the equipment.
- Use vehicle support stands only on a hard, level surface, preferably concrete.
- Always use vehicle support stands in pairs.
- Check that no part of the vehicle under body will obstruct proper placement of the stands.
- Ensure each stand is securely positioned under a strong point of the vehicle. Refer to the vehicle manufacturer's manual.
- Confirm that the locking mechanism is fully engaged.
- Chock the vehicle's wheels that are not being lifted.
- Do not exceed the stands maximum working height or use improvised items such as bricks or timber to support the vehicle.

MAINTENANCE

- Before cleaning or performing any maintenance, you must ensure the tool is switched off and disconnected from the power supply.
- Compressed air is the most effective way to clean this tool. Always wear PPE safety goggles when cleaning tools with compressed air.
- Ventilation openings and switch levers must be kept clean. DO NOT attempt to clean by inserting pointed objects through openings.
- Do not use harsh chemicals or solvents when cleaning this tool.
- If you discover any damaged or broken parts, consult your nearest ToolShed for replacements and advise.

Environment & Disposal

- Packaging materials are raw materials and can be re-used. Separate the different packaging materials and take them to the appropriate waste disposal facility. More information can be obtained from your local authorities.
- Old machines do not belong in your household garbage! Dispose of old machines appropriately, we are all responsible for the environment.



WARNING

Always be sure that the tool is switched off and unplugged before attempting to perform any inspection or maintenance.